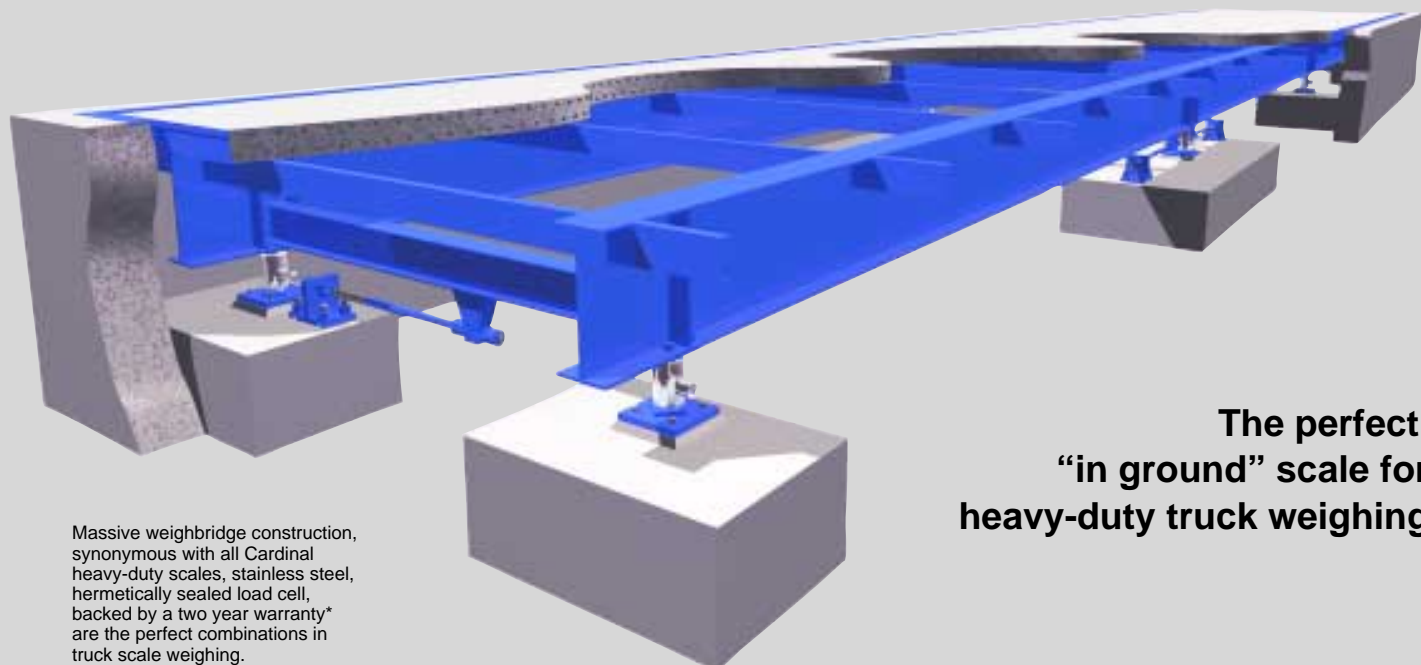


PIT TYPE ELECTRONIC MOTOR TRUCK SCALES

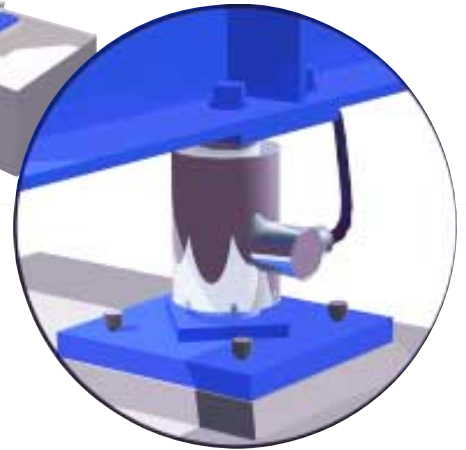
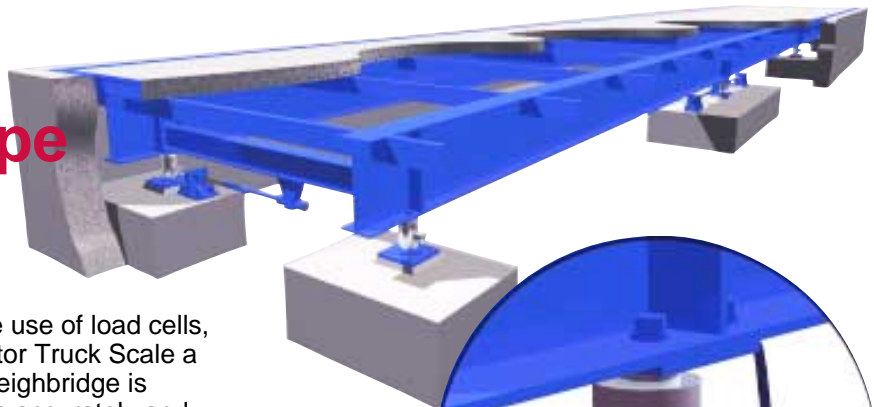


The perfect
"in ground" scale for
heavy-duty truck weighing

Massive weighbridge construction, synonymous with all Cardinal heavy-duty scales, stainless steel, hermetically sealed load cell, backed by a two year warranty* are the perfect combinations in truck scale weighing.

*Statement of Limited Warranty available upon request.

Cardinal's Electronic Pit Type Truck Scale



Simple pit installation permitted through the use of load cells, makes the Cardinal Electronic Pit Type Motor Truck Scale a practical method of weighing trucks. The weighbridge is supported by load cells and these load cells accurately and quickly measure the weight of the truck and its cargo.

ALL THE FEATURES TO MEET WEIGHING AND RECORDING CHALLENGES.

NO WEAR...

Our Electronic Truck Scale provides accuracy, dependability and long satisfactory service. Unlike many scales of this type, there are no moving or delicate parts to wear or require replacement. Down time is infrequent and performance assured.

SIMPLE MAINTENANCE...

Heavy-duty structural weighbridge design delegates maintenance to simple periodic inspection of checkrods and the location of load cells with respect to their mounting plates. No greasing or replacement of special, worn parts because there is no movement.

WEIGHBRIDGE...

The heavy-duty fabricated steel weighbridge is designed to prevent lateral forces, caused from traffic, to be transmitted to the load cells. A special load cell assembly supports the weighbridge yet permits it to expand or contract when subjected to thermal changes without creating a side load on the load cells. Heavy-duty checkrods and restraints maintain the weighbridge in proper position under all weighing conditions.

"ESP" PROTECTION...

This "ESP" feature - Extra Special Protection - consists of stainless steel, hermetically sealed load cells coupled with special grounding techniques and voltage suppressors to prevent over voltage and breakdown of load cells and accompanying instrumentations. Load cells are backed by a two year warranty plan. Again, you are guaranteed of longevity and long term accuracy.

COMPLETE THE WEIGHING SYSTEM

with one of our digital weight displays like the 748 which offers such features as 1" LCD display - keypad tare - gross, tare, and net printing and lb/kg conversion, to name a few. Our outputs and presets allow virtually any type of custom system to be furnished for control and/or recording.



These scales meet all requirements of Handbook 44, issued by the National Institute of Standards and Technology and has been issued the Certificate of Conformance Number 88-061.



Cardinal Scale reserves the right to improve, enhance and modify features and specifications without prior notice.

ELECTRONIC PIT TYPE MOTOR TRUCK AND AXLE LOAD SCALES

Model	Ton Cap.	CLC Cap.	Platform Size	Model	Ton Cap.	CLC Cap.	Platform Size
3024-SRC-I	30	30 ton	24' x 10'	6080-SRC-I	60	30 ton	80' x 10'
5034-SRC-I	50	30 ton	34' x 10'	60100-SRC-I	60	30 ton	100' x 10'
6050-SRC-I	60	30 ton	50' x 10'	8060-SRC-I	80	40 ton	60' x 10'
6060-SRC-I	60	30 ton	60' x 10'	8070-SRC-I	80	40 ton	70' x 10'
6070-SRC-I	60	30 ton	70' x 10'	8080-SRC-I	80	40 ton	80' x 10'
				80100-SRC-I	80	40 ton	100' x 10'

Other sizes and capacities readily available.

Sold By:



P.O. Box 151, Webb City, MO 64870 USA

Ph: 417-673-4631 or 800-441-4237 • Fax: 417-673-5001

Visit our Web site at <http://www.cardet.com>

© Copyright 1993 Cardinal Scale Mfg. Company • Printed in USA • 213/593/5M/Pitt