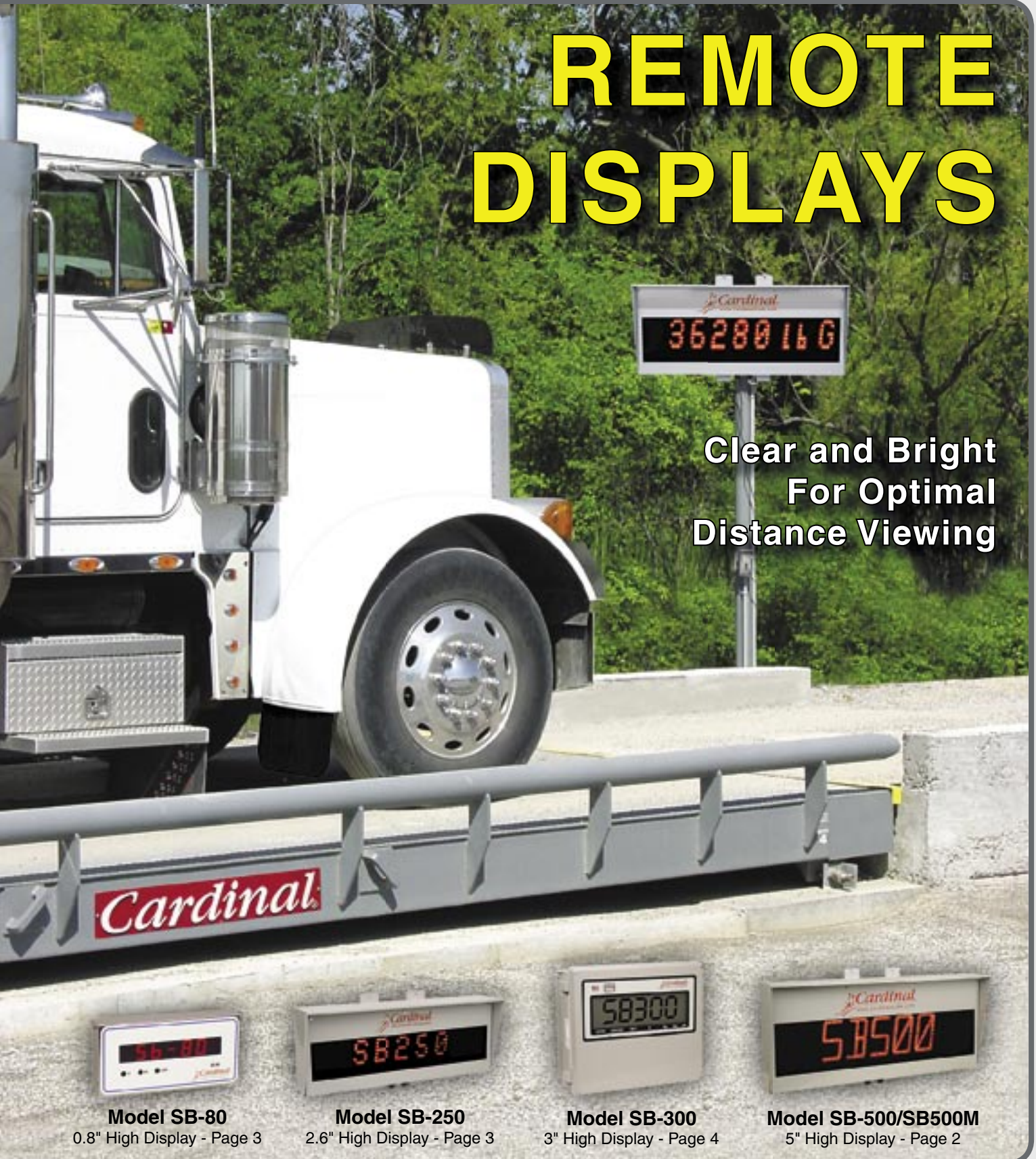


REMOTE DISPLAYS

Clear and Bright
For Optimal
Distance Viewing



Model SB-80
0.8" High Display - Page 3

Model SB-250
2.6" High Display - Page 3

Model SB-300
3" High Display - Page 4

Model SB-500/SB500M
5" High Display - Page 2

SB-500 Remote Display

Serial, Fiber Optic or Ethernet Connectivity



- 5" (127 mm) high intensity LED display
- 10 levels of brightness
- Message board standard with SB-500M
- Cardinal's own *Smart Configuration* software allows custom formats

- Autolearn mode allowing plug-and-play with virtually any digital indicator
- NEMA 4/IP65 weatherproof enclosure
- Built-in rain hood
- Mounting tabs for easy installation

Cardinal's giant SB-500 and SB-500M remote displays are clearly visible for highway applications and flexible enough for use indoors or out. Their 5" (127 mm) high-intensity LED displays are viewable in direct sunlight with a viewing angle of 140°. These units feature ten levels of display intensity which adjust automatically via an ambient

light sensor, ensuring readability both day and night. The painted mild steel, weatherproof enclosures meet NEMA 4/IP65 requirements and incorporate tabs for mounting on a vertical surface. The built-in rain hoods provide extra protection and greater visibility during inclement weather. Daisy chain multiple units together for increased visibility.

SB-500

The SB-500 utilizes Cardinal's autolearn mode allowing the remote display to plug and play with virtually any digital indicator via standard RS-232 connection, 20mA, RS422/485. Alpha display of units makes the SB-500 easy to read, without confusing status lamps.



SB-500M

The SB-500M employs **message board capabilities** for directing vehicles on and off the scale or simply displaying scrolling messages. With custom configuration, the SB-500M can display moving and static alpha characters, and each digit consists of up to 24 segments for greater readability.



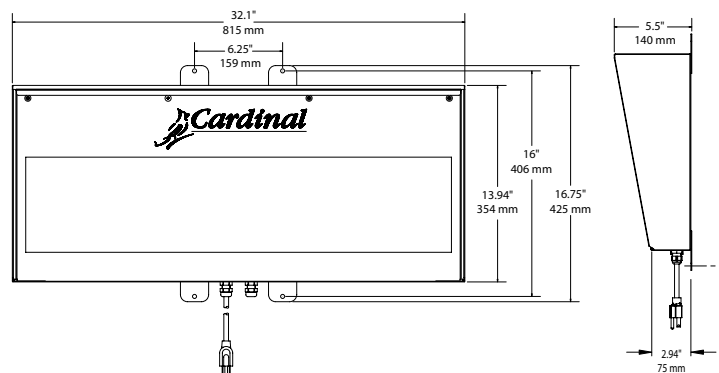
SB-500S

Choose Cardinal's SB-500S, with **stainless steel enclosure**, for corrosion-free protection that stands up to rugged use in harsh environments.



Cardinal's proprietary *Smart Configuration* software allows a custom configuration through the upload of serial data. Custom design the SB-500M and SB-250 to display messages directly from a programmable indicator or PC.

| | |
|-----------------------------------|--|
| Character Height | 5" / 127 mm |
| Character Type | |
| SB-500 and SB500S..... | 7-segment, 6-digit with decimal points and three 24-segment alpha characters |
| SB-500M..... | Nine 24-segment alpha characters |
| Annunciators | lb, kg, T, t, G, N (if output from indicator) |
| Ambient Light Levels | total darkness to direct sun |
| Power Input | 115/230 VAC 50/60 Hz |
| Power Consumption | 60 watts, maximum |
| Interface | 20mA - active or passive, RS-232, RS-422, RS-485 fiber optic, ethernet |
| Display Capacity | -99999 to 999999 |
| Enclosure Rating | NEMA 4/IP65 |
| Enclosure | |
| SB-500 and SB500M..... | painted mild steel |
| SB-500S..... | stainless steel |
| Viewing Angle | +/- 70° |
| Viewing Range | 250' / 76 m |
| Ambient Temperature | -15° to +130° F (-26° to 54° C) |
| Ambient Humidity | 5 to 100% |
| Character Format | all standard printable ASCII characters |





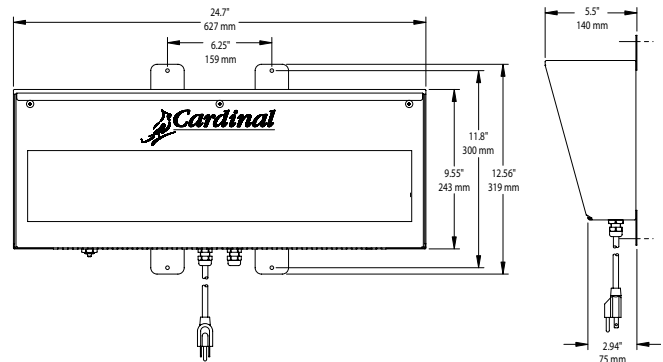
SB-250 Remote Display

The SB-250 employs many of the same features of the SB-500, but in a smaller package. Message board capabilities are standard with all

SB-250s and feature digits 2.6 inches high consisting of an array of nine 5 x 7 alphanumeric characters for crisp, clean readouts of upper and lower case letter messages.

Character Height.....2.6" / 66 mm
Character Type.....5 x 7 with descenders and decimal points
Annunciators.....lb, kg, T, t, G, N (if output from indicator)
Ambient Light Levels.... total darkness to direct sun
Power Input.....115/230 VAC 50/60 Hz
Power Consumption.....60 watts, maximum
Interface.....20mA - active or passive, RS-232, RS-422, RS-485 fiber optic, ethernet
Display Capacity.....-99999 to 999999
Enclosure Rating.....NEMA 4/IP65
Enclosure.....painted mild steel
Viewing Angle.....+/- 70°
Viewing Range.....200' / 61 m
Ambient Temperature.....-15° to +130° F (-26° to 54° C)
Character Format.....all standard printable ASCII characters

- 2.6" (66 mm) high intensity LED display
- 10 levels of brightness
- Message board standard
- Cardinal's own *Smart Configuration* software allows custom formats
- Connect via serial, fiber optic, or ethernet to your digital indicator

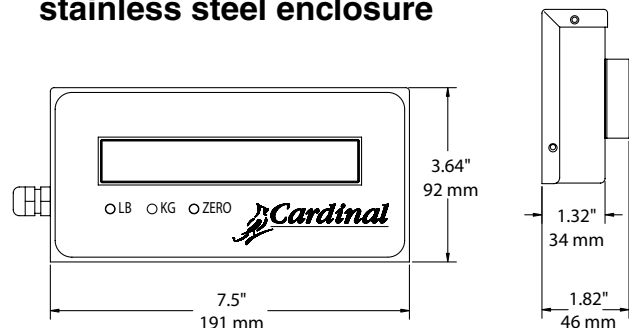


SB-80 Remote Display

Cardinal's SB-80 features a 0.8" high LED display, viewing range of 20 feet, AC adapter (included), and combination of desk and wall-mount stainless steel enclosure. For indoor use only, this unit is perfect for warehouse floor scales. It requires a two-wire connection to the indicator, with a maximum distance of 25 feet from the indicator for RS232 and 1,000 feet for a 20mA current loop.

- 6-digit, 0.8" high LED display
- Displays remote readout and tracks digital weight indicator
- Viewing range of 20 feet / 6 meters
- Combination desk and wall-mount stainless steel enclosure

Display.....0.8" / 20 mm high LED, 7 digits (6 for weight, 1 for minus sign)
Power.....12 VDC, 300mA adapter (115 VAC, 60 Hz adapter)
Annunciators.....lb, kg, ZERO
Interface.....20mA current loop, RS-232
Display Capacity.....-999999 to 999999
Enclosure.....stainless steel
Viewing Range.....20' / 6 m





SB-300 Remote Display

- **3" (76 mm) high numerals**
- **Transflective LCD display**
- **Automatic backlighting**
- **Tough fiberglass NEMA 4 enclosure**
- **Highly visible in ALL lighting**
- **Daisy chain multiple units to one indicator**



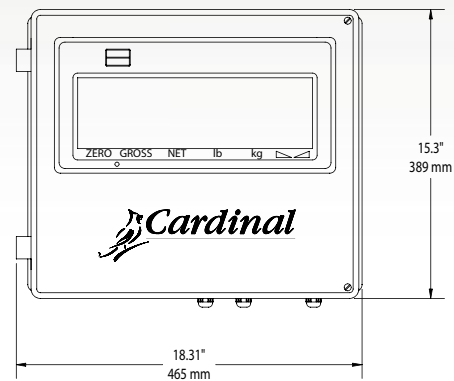
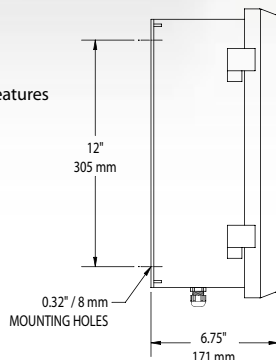
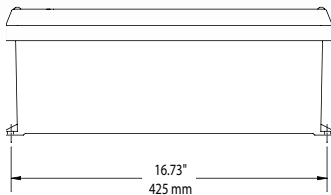
Durable, weatherproof fiberglass prohibits corrosion in abusive environments.

3" high transflective display can be seen day or night... even at a distance!



Automatic backlighting activates LCD lamps only when needed.

Cardinal Scale reserves the right to improve, enhance or modify features and specifications without prior notice.



| | |
|-----------------------------------|---|
| Character Height | 3" / 76 mm |
| Character Type | 6-digit, 7-segment |
| Display | transflective LCD with light sensitive backlighting |
| Display Capacity | -99999 to 999999 |
| Backlight Type | Photo detector controlled CCFL, 10,000 Hr Life |
| Annunciators | 6 (Zero, Gross, Net, lb, kg and Motion) |
| Ambient Light Levels | total darkness to direct sun |
| Power Input | 3 wire, 95 to 264 VAC, 60 Hz |
| Interface | 20mA current loop, RS-232 (10' / 3 m cable furnished) |
| Enclosure Rating | NEMA 4/IP65 |
| Enclosure | fiberglass |
| Viewing Range | up to 100 feet / 30 m |
| Ambient Temperature | -10° F to +120° F -23° C to 49° C |

Cardinal
 Cardinal Scale Manufacturing Co.
 203 E. Daugherty, Webb City, MO 64870 USA
 Ph: 417-673-4631 or 800-441-4237 • Fax: 417-673-5001
www.cardinalscales.com

Sold By:

